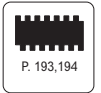
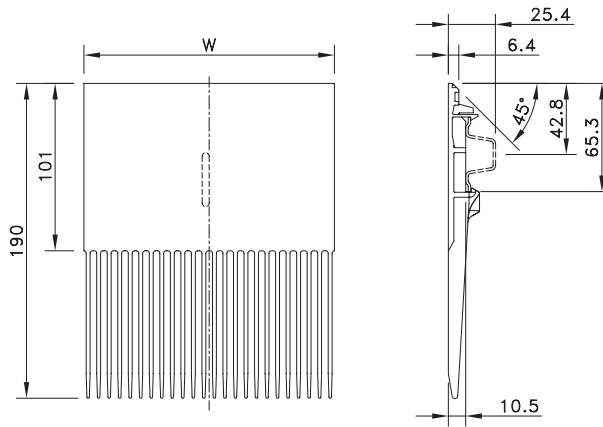
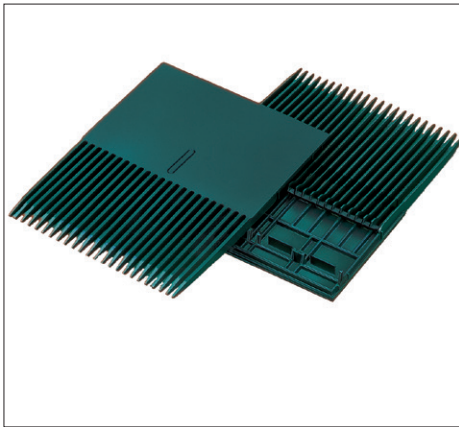
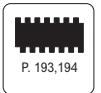
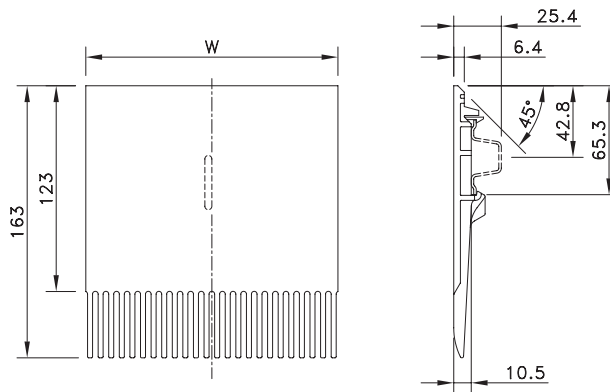
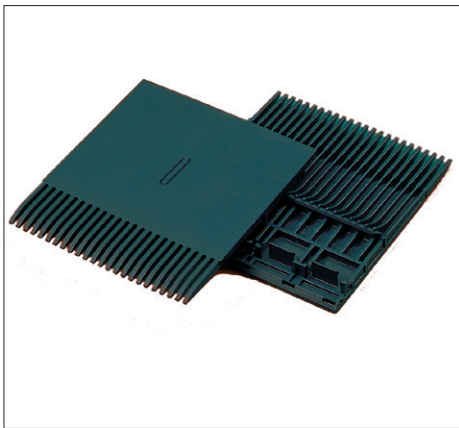


Click-Comb Fingerplates Standard



'Click-Comb' Fingerplate type	Code Number	Length	Width W	Weight ≈
		mm	mm	kg
XLG-Acetal				
TRAN PLT COMB XLG2000 190X152MM_OMEGA	10147612	190	151	0.16
TRAN PLT COMB XLG2000-190X74MM_HIGH	10362004	190	74	0.08

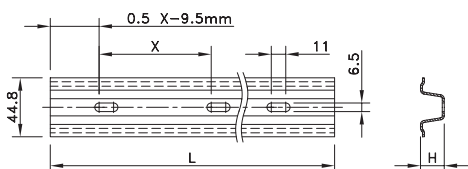
Click-Comb Fingerplates for Glass Handling



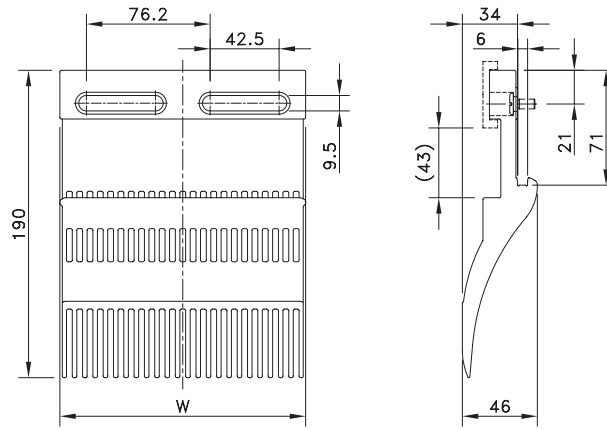
'Click-Comb' Fingerplate type	Code Number	Length	Width W	Weight ≈
		mm	mm	kg
XLG-Acetal				
TRAN PLT COMB XLG2000 163X152MM_GLASS	10147614	163.1	151	0.16
TRAN PLT COMB XLG2000-163X74MM_GLASS	10362005	163.1	74	0.08



Code Number	Length L mm	Type	Weight	Pitch X		Number of Pitches	Height H
			kg	mm	inch		mm
Profiles for Fingerplates							
Stainless Steel							
10724982	3040	Prof. For comb H=15 mm L=3040 mm	2.44	76.2	3.00	39.9	15

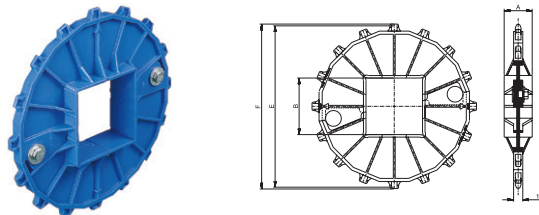


DTS-C® Transfer System for Pasteurizers

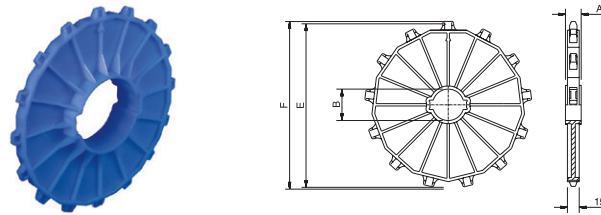


Product	Code Number	Length	Width W	Weight ≈
		mm	mm	kg
Reinforced Polyamide				
TRAN PLT DTS-C 2000-1005 190X152MM WH	10296369	190	152	0.25
*DTS-C is optimized for 16 tooth sprocket size				
Wearstrip DTS-C 2000				
CHN GUIDE 362 C-PROF W41XT4MM BK 3.05M	10350021	3		
CHN GUIDE 362 C-PROF W41XT4MM BK 6.05M	10324496	6		

Split Sprockets



Classic Sprockets



Sprocket Type	Code Number	Number of Teeth	Bore	Pitch Diameter	Outside Diameter	Hub Diameter
			B	E	F	A
			mm/inch	mm	mm	mm
Split Sprockets						
Square bores						
NS2000-13T_90MM_S_POM	10291188	13	90	212.3	209.0	45
NS2000-16T_65MM_S_POM	10298195	16	65	260.4	262.0	
NS2000-16T_90MM_S_POM	10298196	16	90			
NS2000-16T_120MM_S_POM	10334389	16	120			
Classic Sprockets						
Round bores						
N2000-10T_40MM_2KW_POM	10334294	10	40	164.4	163.1	20
N2000-10T_50MM_2KW_POM	10334295	10	50	164.4	163.1	
N2000-12T_40MM_2KW_POM	10334299	12	40	196.3	196.3	
N2000-13T_65MM_2KW_POM	10334305	13	65	212.3	209.0	30
N2000-13T_90MM_2KW_POM	10334306	13	90	212.2	209.0	45
N2000-16T_90MM_2KW_POM	10148122	16	90	260.4	262.0	45
N2000-16T_2-1/2IN_2KW_POM	10327972	16	2.5"	260.4	262.0	30
Square bores						
N2000-10T_40MM_S_POM	10334296	10	40	164.4	163.1	20
N2000-10T_60MM_S_POM	10334297	10	60	164.4	163.1	30
N2000-10T_65MM_S_POM	10334298	10	65	164.4	163.1	
N2000-12T_40MM_S_POM	10334301	12	40	196.3	196.3	
N2000-12T_60MM_S_POM	10334302	12	60	196.3	196.3	30
N2000-12T_65MM_S_POM	10334303	12	65	196.3	196.3	
N2000-13T_90MM_S_POM	10334310	13	90	212.3	209.0	
N2000-16T_65MM_S_POM	10334314	16	65	260.4	262.0	30
N2000-16T_90MM_S_POM	10334315	16	90	260.4	262.0	45
N2000-16T_120MM_S_POM	10297110	16	120	260.4	262.0	